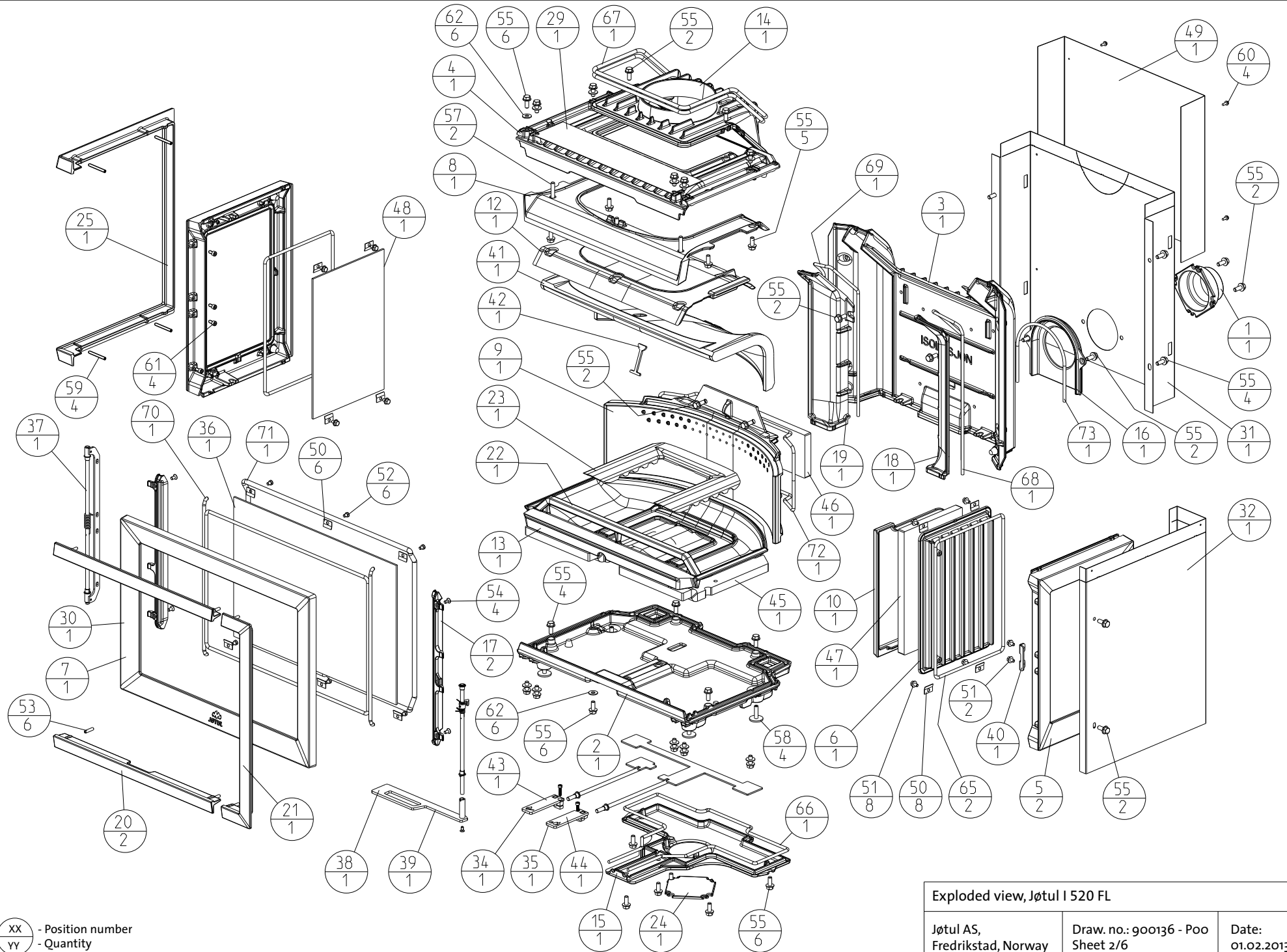


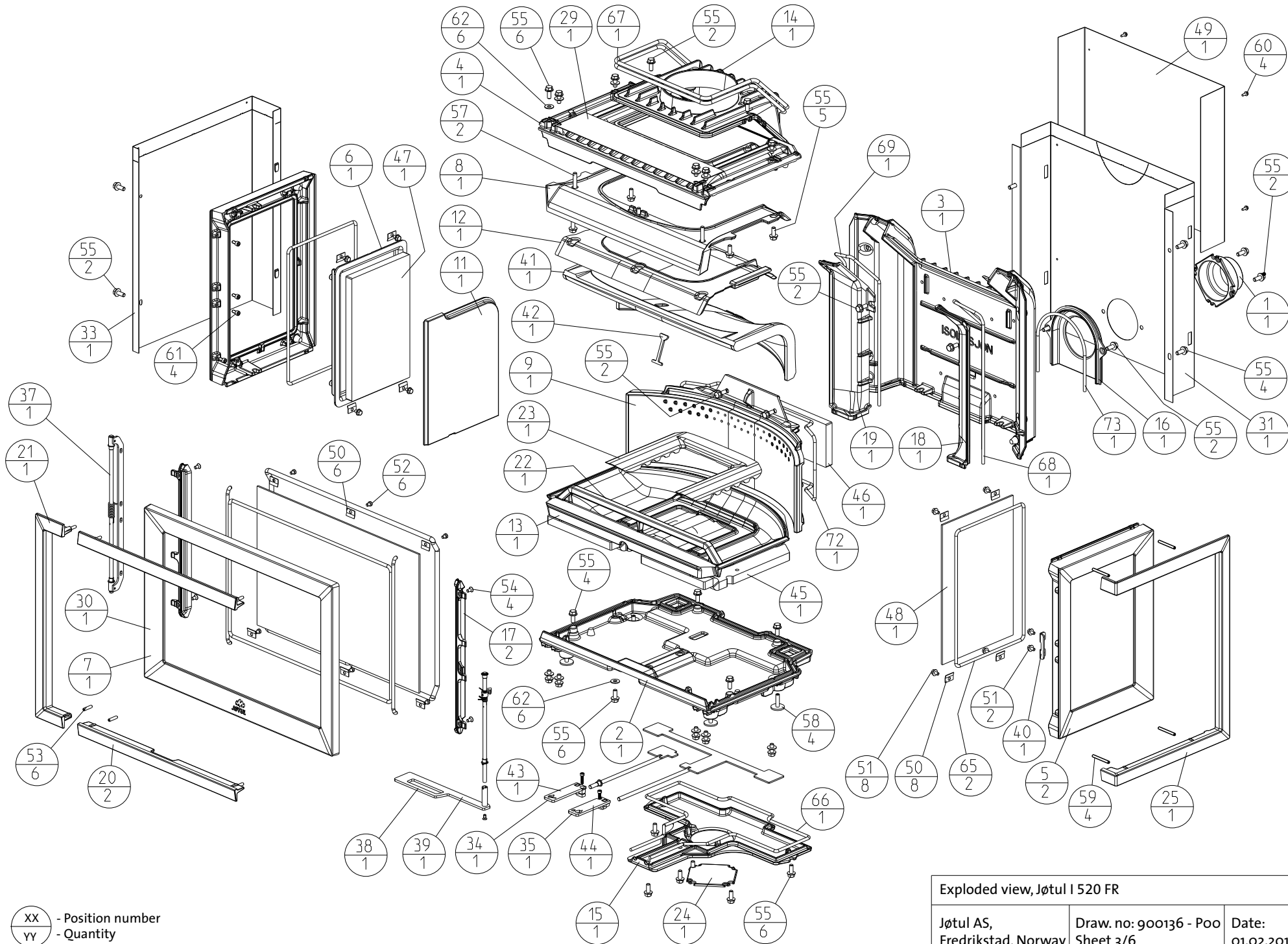
XX - Position number
 YY - Quantity

Exploded view, Jøtul I 520 F		
Jøtul AS Fredrikstad, Norway	Draw. no.: 900136 - Poo Sheet: 1/6	Date: 01.02.2013



XX - Position number
 YY - Quantity

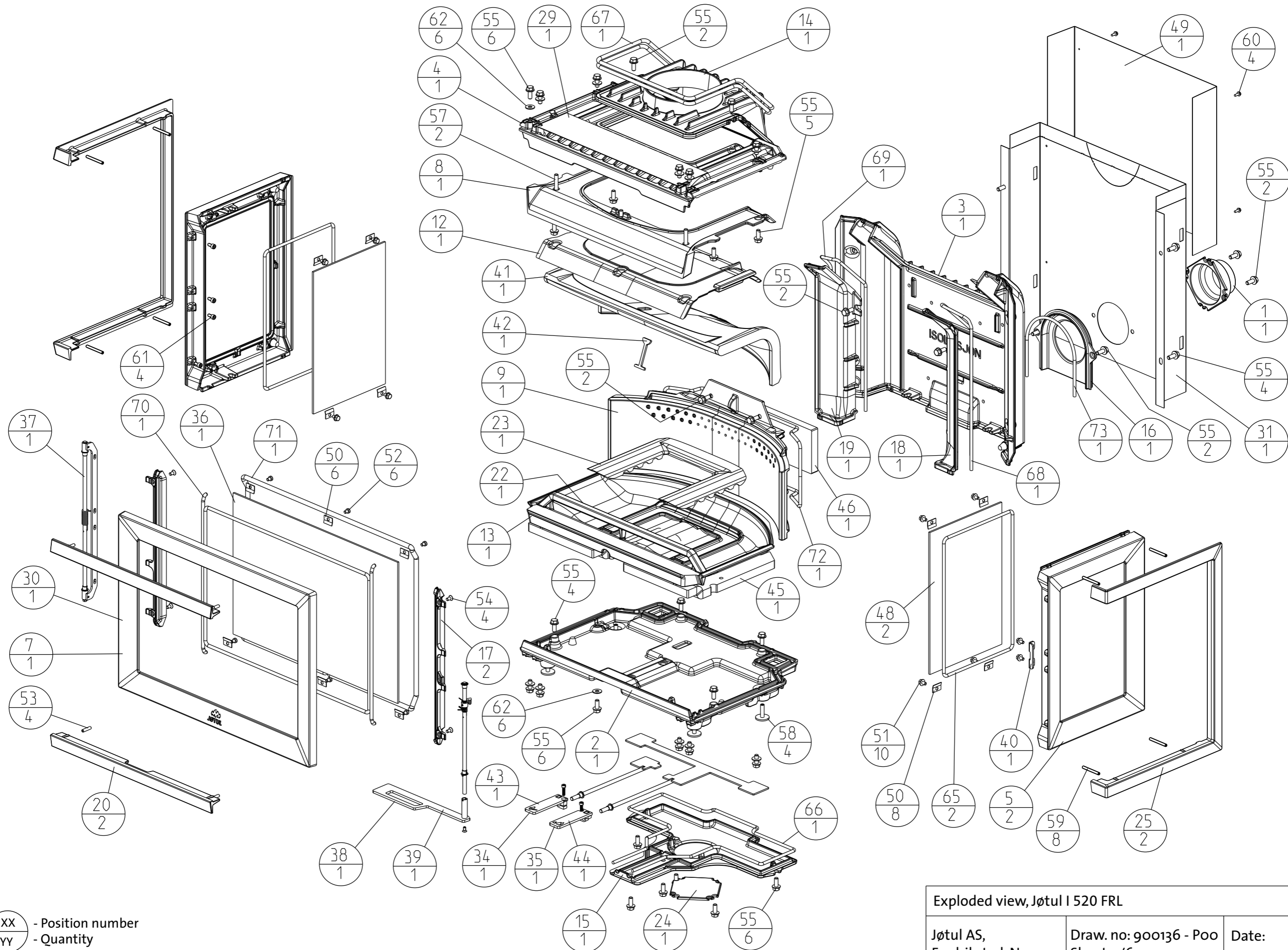
Exploded view, Jøtul I 520 FL		
Jøtul AS, Fredrikstad, Norway	Draw. no.: 900136 - Poo Sheet 2/6	Date: 01.02.2013



Exploded view, Jøtul I 520 FR

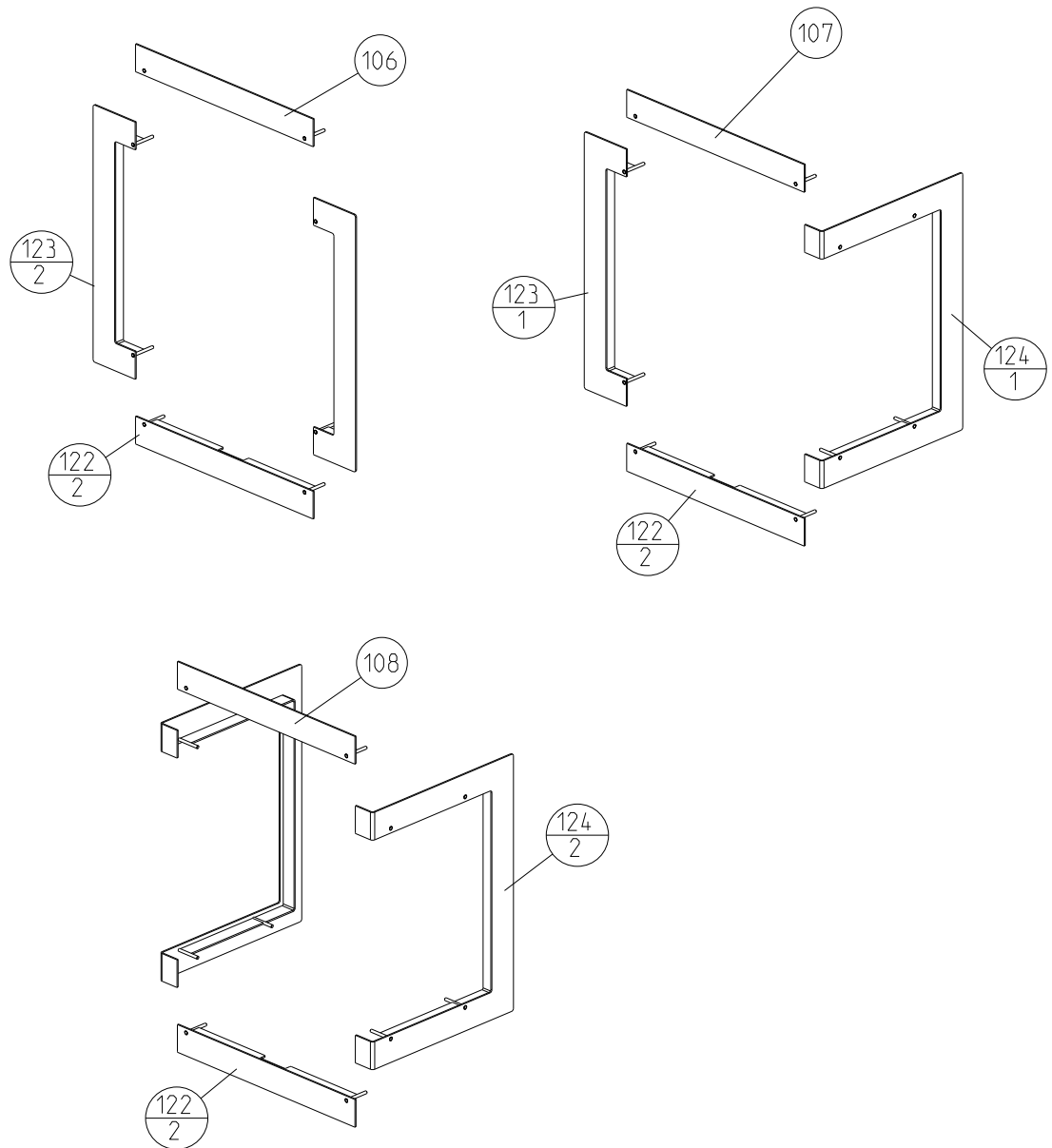
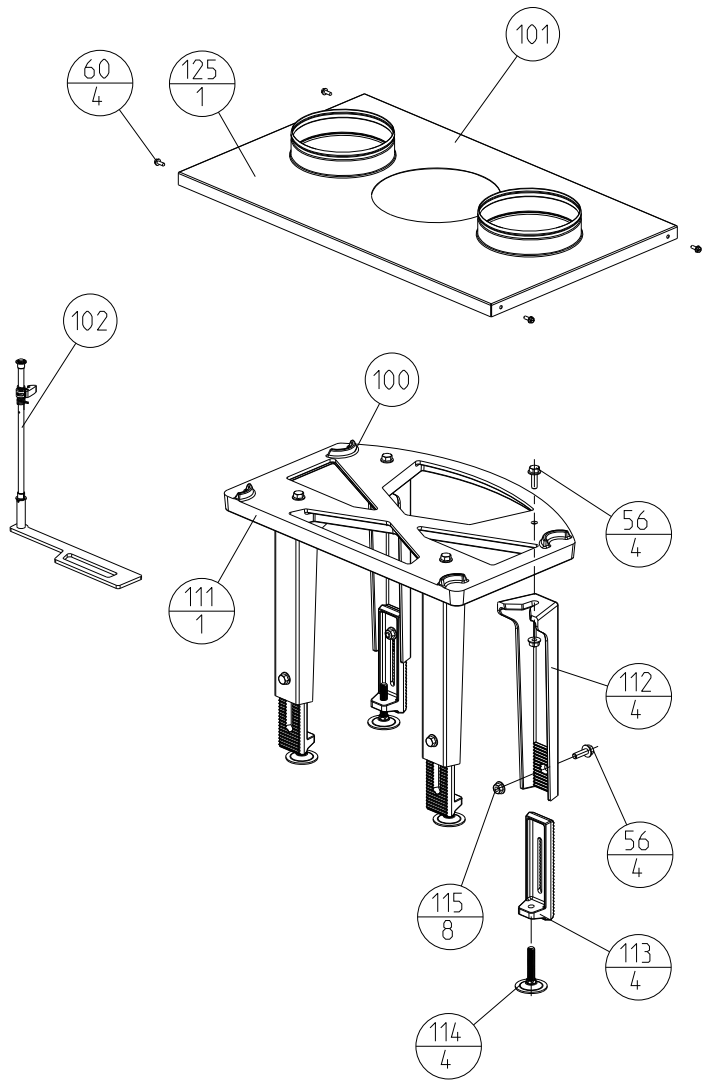
Jøtul AS, Fredrikstad, Norway	Draw.no: 900136 - Poo Sheet 3/6	Date: 01.02.2013
----------------------------------	------------------------------------	---------------------

xx - Position number
yy - Quantity



XX - Position number
 YY - Quantity

Exploded view, Jøtul I 520 FRL		
Jøtul AS, Fredrikstad, Norway	Draw. no: 900136 - Poo Sheet 4/6	Date: 01.02.2013



XX - Position number
 YY - Quantity

Exploded view, Jøtul I 520 - Optional extras		
Jøtul AS, Fredrikstad, Norway	Draw. no: 900136 - Poo Sheet 5/6	Date: 01.02.2013

